
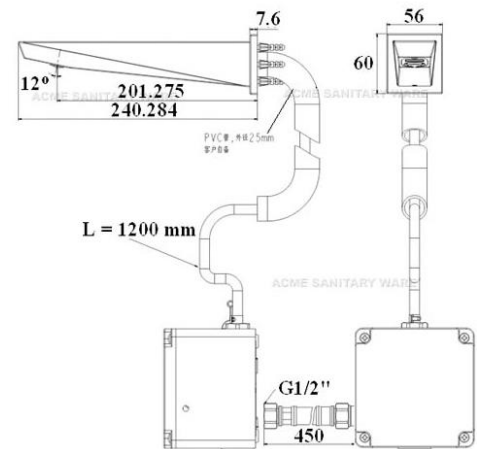




PROJECT		REF		REV	ITEM CODE	
LOCATION		DATE			PAGE	

SANITARY WARE SPECIFICATION SHEET

Item Descriptions	American Standard (PRC) Streamlined design shiny chrome wall mounted low lead sensor faucet with Line-Sensor Technology consisting of 64-light receiving elements mounted in a straight line at the spout to provide unmatched sensor precision; equipped with PCA aerator to ensure stable; safety stop at 59 seconds; AC 220V	Illustration/ Drawing 
Dimensions	L240 x W56 x H60 mm	
Model	CF-8511.A00.50	
Finish	Chrome Plated	
Manufacturer	American Standard (PRC)	
Source	Acme Sanitary Ware Co. Ltd Mr. Eric Wong / Mr. Don Yuen	
Contact Tel/Fax	(852) 2388-7171 / (852) 2710-8012	
E-mail	acme@acmesanitary.com.hk	
Website	www.acmesanitary.com.hk	
<p>Line sensor at the spout With PCA aerator to ensure stable water flow under high pressure Safety stop at 59 sec AC 220V,</p> <ul style="list-style-type: none"> Consisting of 64-light receiving elements mounted in a straight line at the spout, American Standard's Line Sensor comes equipped with Image Processing Technology to provide unmatched sensor precision compared to a conventional sensor faucet. The streamlined designed faucets also feature aerated water flow to prevent water splashing, offering you an unparalleled experience of both aesthetics and performance for your commercial projects. 		

Note:

* All information of the above is for the reference only. No prior notice is made if any changes.



Acme Sanitary Ware Co. Ltd.

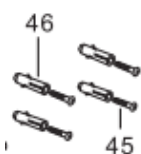
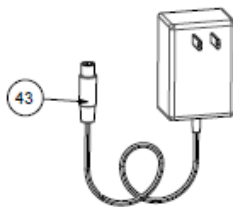
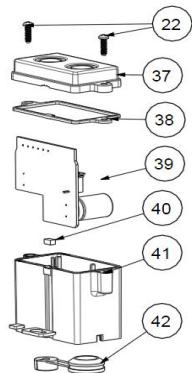
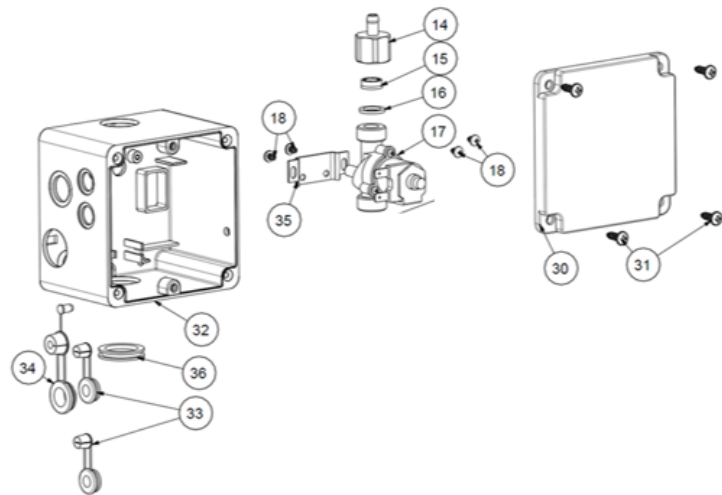
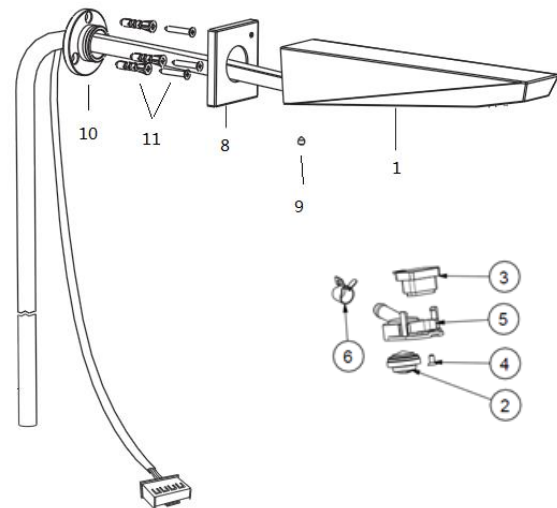
1/F, Acme Building, 22-28 Nanking Street, Kowloon, Hong Kong

Tel: 2388 7171 Fax: 2710 8012

Email: acme@acmesanitary.com.hk

Website: www.acmesanitary.com.hk

American Standard



No.	Part Code	Part Des. (EN)	Qty.
1	FFZZ8511-A0050BDPL	Body For A37 Inwall Lava. Sen	1
2	FF1-CN521A0002699P	Aerator	1
3	FF1-CN521S00000044	Blue Bird Sensor	1
4	FF1-CN521N000000269	Screw for Minimalistic Slg Hole Lava.	1
5	FF1-CN521Z000000264	Housing for Blue Bird Sensor	1
6	FF1-CN521Z000000287	Pipe Click for Sensor Faucet	2
7	FF1-CN521T000000038	PVC Hose (D10*1.5)	1
8	FF1-CN521F000000171	Cover for A37 inwall Lava. Se	1
9	FF1-CN521N000000228	Screw	1
10	FF1-CN521J000000051	Fixing Plating for inwall Lav	1
11	FF1-CN521X000000012	Rio Screw (M4X40)	2
14	FF1-CN521J000000146	Connector for control box	1
15	FF1-CN521A0002599P	Regulator (58.7356.1) (1.5gpm black)	1
16	FF1-CN521G000000034	Flat Washer 18.5* 13*2	2
17	FF1-CN521S000000001	Mainfold for Solenoid	1
30	FF1-CN521F000000048	COVER	1
31	FF1-CN521N000000239	EJOT-PT-SCREW KB50*16(A918549)	4
32	FF1-CN521Z000000286	CONTROL BOX	1
33	FF1-CN521G000000306	New Grommet	2
34	FF1-CN521Z000000081	Rubbler Plug for Control Box(1
35	FF1-CN521F000000181	Fixing Board for Solenoid	1
36	FF1-CN521Z000000080	Rubbler plug for battery box	1
37	FF1-CN521F000000059	Cover for EL battery box (transparency)	1
38	FF1-CN521G000000085	Sealing washer for cover of battery box	1
39	FF1-CN521S000000047	Blue Bird PC Board AC	1
40	FF1-CN521G000000086	Sealing washer for body of battery box	1
41	FF1-CN521Z000000057	Body for EL battery box (transparency)	1
42	FF1-CN521Z000000079	Rubbler plug for control box	1
43	FF1-CN522S000000399	FF1-CN522S000000399	1
44	FF1-CN521T000000008	GS-1 In-Water Hose 1/2inch*45	1
45	FF1-CN521N000000278	Woodscrew (M918985)	4
46	FF1-CN521Z000000420	ANCHOR (M905767)	4

* All information of the above is for the reference only. No prior notice is made if any changes.